

Driver	Date	Track	Engine	Plug	Fuel
	1st Gear	2nd Gear		Tire	Pipe
	PINION		SPUR		

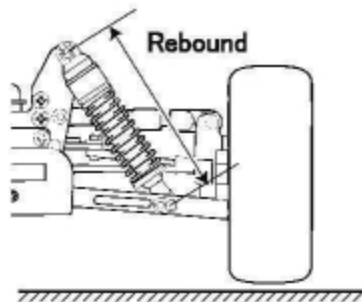
Clutch Notes:

Shock-Set-Up (Silicon Oil Name:)

Setup Modifications:	FRONT	REAR
Shock Type		
Shock Piston	$\phi 1.2 \times 2$ $\phi 1.3 \times 2$ $\phi 1.4 \times 2$ $\phi 1.6 \times 1$ $\phi 1.7 \times 1$	$\phi 1.2 \times 2$ $\phi 1.3 \times 2$ $\phi 1.4 \times 2$ $\phi 1.6 \times 1$ $\phi 1.7 \times 1$
Oil	#	#
Spring		
Ride Height	mm	mm

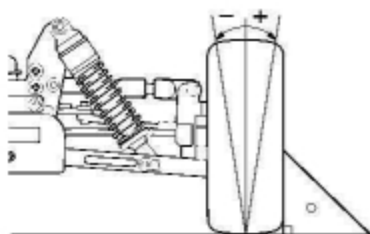
Rebound

FRONT	REAR
mm	mm



Camber Angle

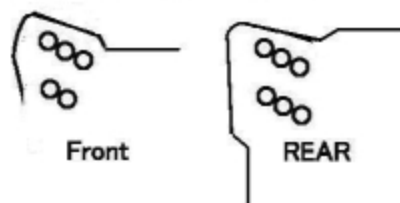
FRONT	REAR
°	°



Diff Gear Set-Up (Silicon Oil Name:)

	FRONT	CENTER	REAR
Oil	LSD	LSD	LSD

Shock Mount Position



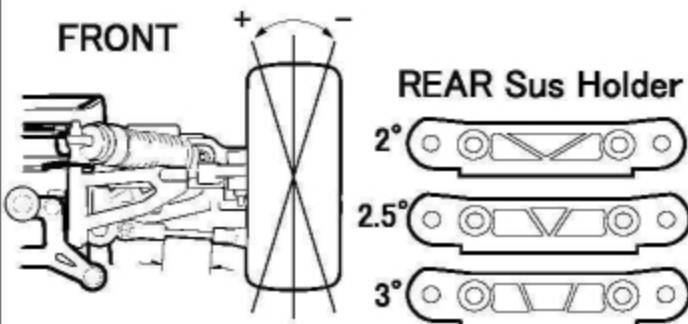
Lower Suspension Arm	
FRONT	REAR
In / Out	In / Out

Toe Angle

FRONT	REAR
°	2' - 2.5' - 3'

Wheelbase

Wheelbase		
Color of Rear Hub	Front Side	mm
	Rear Side	mm



Rear Sus Plate

IFW314(Red)	IFW302(Gold)	IFW303(Blue)
1°	2°	3°

Rear Hub Position

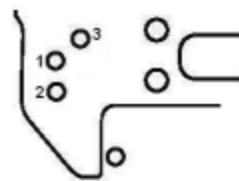
Upper
Under

Upper Arm Position

	FRONT	REAR
Shock Stay		1 - 2 - 3
Wheel side	In • Middle • Out	In • Out



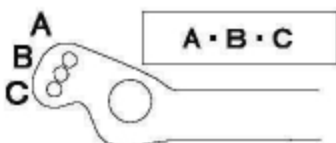
Front Hub Carrier



Rear Shock Stay

Notes:

Steering Plate



Roll Bar

FRONT	REAR
ϕ	ϕ
mm	mm

